



Seit 1872

# STACKE

S I C H E R H E I T M I T S Y S T E M

## Safe deposit lockers

### The electronic control **SAFENET**

Today, safe deposit lockers are - as they have always been - an indispensable part of the services provided to customers: The customer entrusts his valuables to the bank safe unreservedly.

The bank can address its customers with good design, high-quality workmanship and reliable security thus inspiring confidence and strengthening customer retention.

This customer service costs money - but these costs can be reduced to a minimum, above all with regard to personnel expenses.

Well suited means for this purpose are electronic controls which can automate this service by means of remote or, even better, self-service facilities to a large extent.

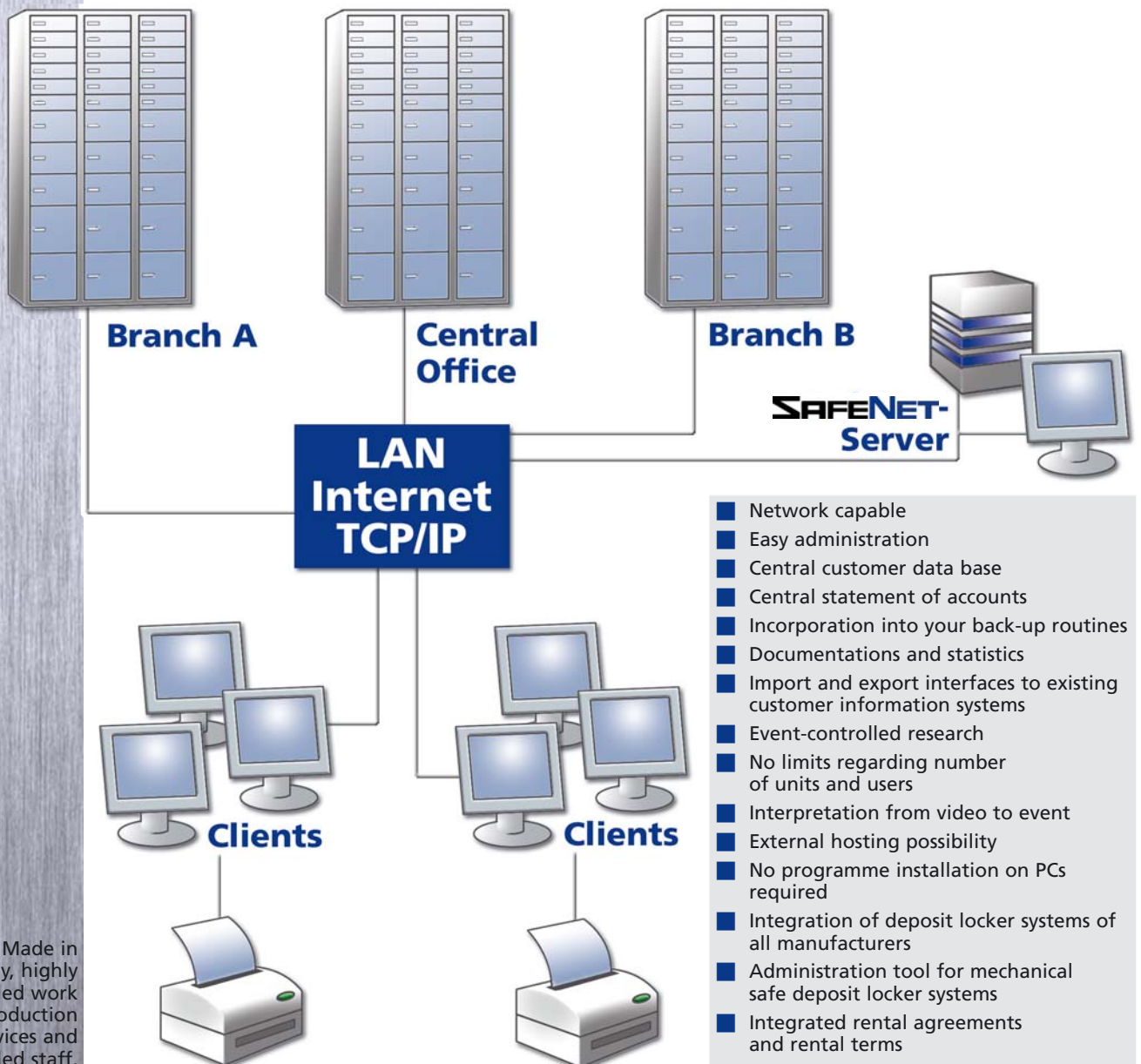
Manipulations are eliminated; mechanical security is supplemented and optimized by a visual electronic control system. Many options facilitate the administration of the lockers.

**SAFENET** is a mature software solution which has proved its efficiency in many existing systems and performs the total control and data management of safe deposit lockers.

**SAFENET** offers a comprehensive catalogue of interesting rationalized possibilities and options.

We will gladly let you have our demo material or explain or describe it to you personally. You will be amazed at the variety of possibilities that a reliable and maintenance-free system offers.

We will be pleased to offer advice.



Made in Germany, highly qualified work in production and services and by skilled staff.

# Safe deposit lockers

## The electronic control **SAFENET**

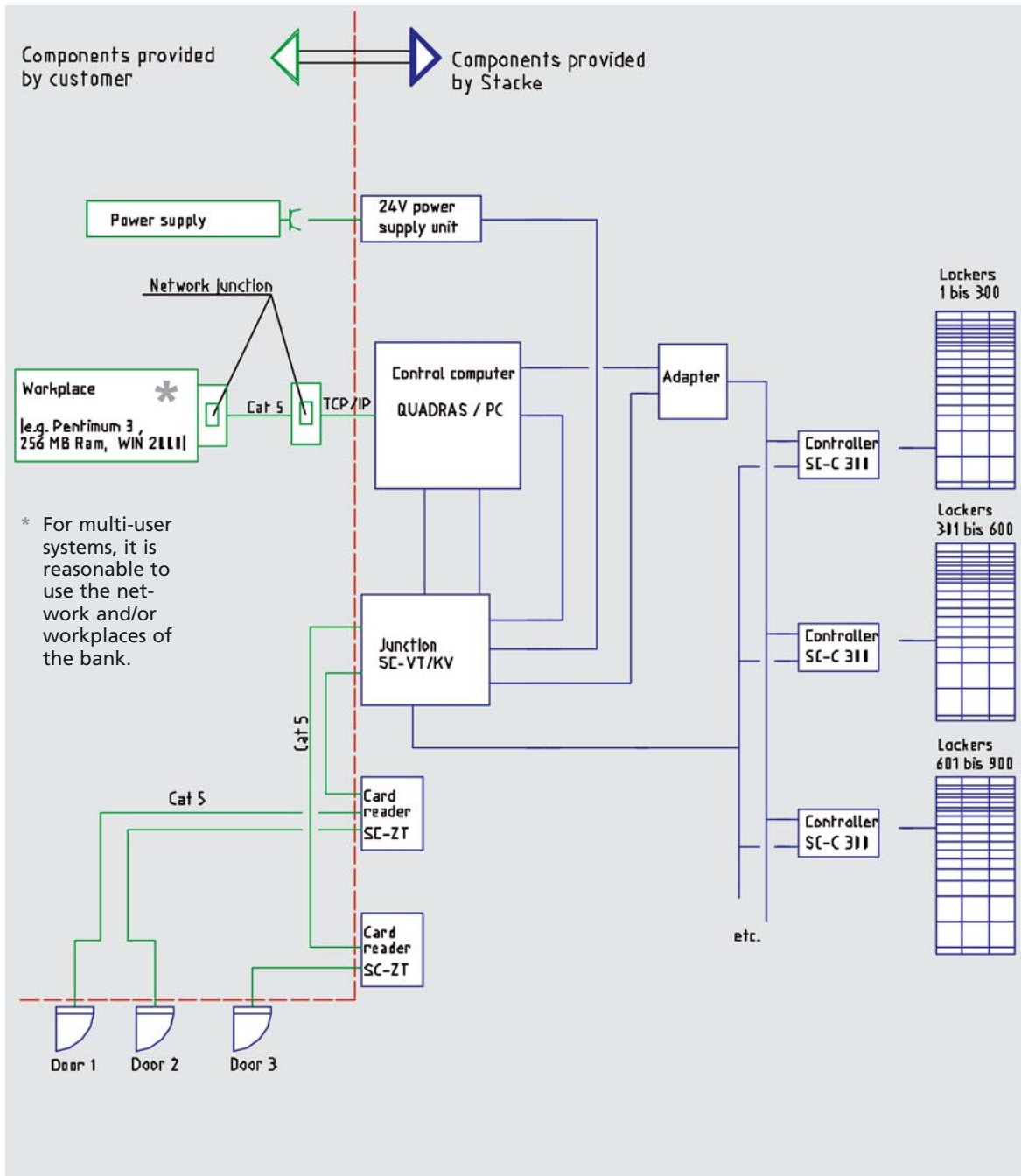


Diagram illustrating the system and its components with the „customer – Stacke/**SAFENET**“ interface